

PROTEL Series

20 kV Class II ref. 00CLSPD20KVPROC2



SURGE PROTECTOR DEVICE

Surge protector device for led lighting products
 Wire connection
 LED status indicator
 IEC/EN 61643-11 compliance



ELECTRICAL CHARACTERISTICS

Type of protection <i>IEC / EN 61643-11</i>	Class II / Type 2 & Class III / Type 3
AC voltage network	100 - 277 single-phase
AC system	TN
Max. AC operating voltage (Uc)	320 V AC
Max. Current line (IL)	15 A
Temporary Over Voltage (TOV) 5 s (UT) <i>Without disconnection</i>	336,6 V
Temporary Over Voltage (TOV) 120 min (UT) <i>Without disconnection or with safety disconnection</i>	442 V
Residual current (Ipe) <i>Ground leakage current</i>	≤ 50 μA
Nominal discharge current (In) <i>15 impulses 8 / 20 μs</i>	10 kA
Max. shock current (Imax) <i>Max. impulse 8 / 20 μs by pole</i>	15 kA
Combined wave capacity (IEC 61643-11) (Uoc) <i>Class III test: 1,2 / 50 μs - 8 / 20 μs</i>	20 kV
Protection mode	Differential
Protection level L / N (Up) <i>@In (8 / 20 μs)</i>	1,6 kV
Protection level DM <i>@In (8 / 20 μs)</i>	1,6 kV

MECHANICAL CHARACTERISTICS

Technology	MOV + thermal link connected
Housing material	PA polyamide 6
Protection rating	IP 66
Assembly	Platen
Operating temperature	- 40 °C - 80 °C

Case temperature	85 °C
End of life	Disconnection and cut mains AC
Disconnection indicator	Green LED light off and disconnection AC
Voltage / Operator Indicator	Green LED light on
Dimensions	50 x 38 x 38 mm
Weight	112 ± 11 g

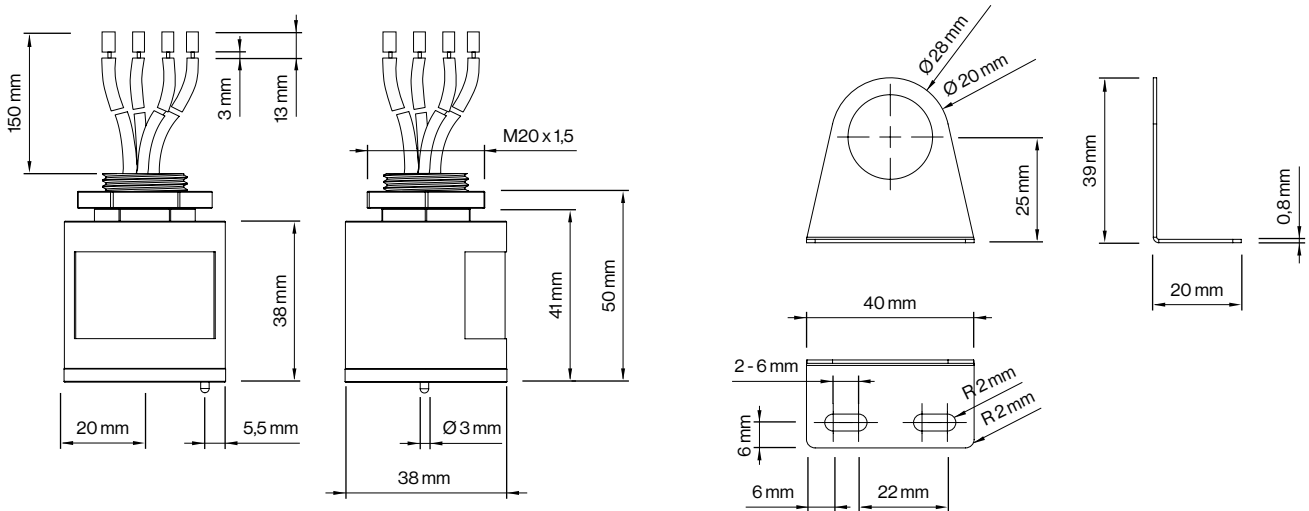
DISCONNECTORS

Thermal disconnectors	Interne
-----------------------	---------

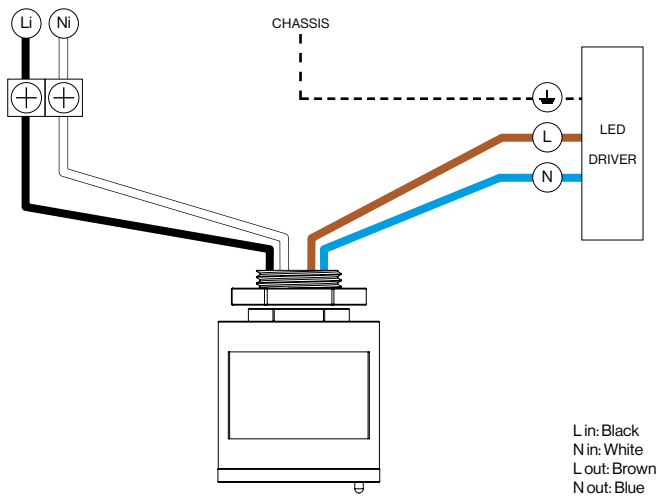
STANDARDS

Meet standards	IEC / EN 61643-11
Certification	CE

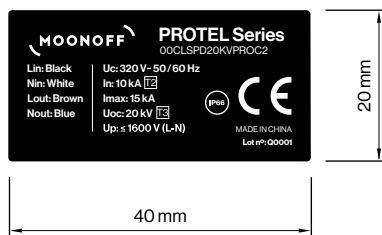
DIMENSIONS



CONNECTION



LABEL



The product specifications may vary without prior notice.